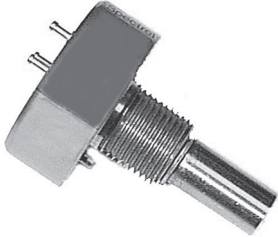


7/8" (22.2 mm) Single Turn Wirewound, Precision Potentiometer



FEATURES

- Rugged, high-quality, all metal housing
- Short length behind panel 1¹/₃₂" (8.76 mm)
- Ohmic value range: 5 Ω to 40 kΩ
- Extra taps available
- Bushing and servo mount types



RoHS
COMPLIANT

ELECTRICAL SPECIFICATIONS		
PARAMETER		
Total Resistance Standard Range	5 Ω to 20 kΩ - special to 40 kΩ	
Tolerance 50 Ω and Above: Below 50 Ω	STANDARD ± 3 % ± 5 %	SPECIAL ± 1 % ± 3 %
Linearity (Independent) Total Resistance 5 Ω to 100 Ω 100 Ω to 500 Ω 500 Ω and Above	STANDARD ± 1.0 % ± 1.0 % ± 0.5 %	BEST PRACTICAL ± 0.75 % ± 0.50 % ± 0.35 %
Noise	100 Ω ENR	
Power Rating (at 40 °C Ambient)	2 W derated to zero at 125 °C	
Electrical Angle	340° ± 2°	
Insulation Resistance	1000 MΩ minimum 500 V _{DC}	
Dielectric Strength	1000 V _{RMS} , 60 Hz	
Absolute Minimum Resistance	Not to exceed linearity times total resistance or 0.5 Ω whichever is greater	
Minimum Voltage	0.5 % max.	
Temperature Coefficient of Resistance	Refer to standard resistance element data	

ORDERING INFORMATION/DESCRIPTION			
152	S	10K	B010
MODEL	MOUNTING	OHMIC VALUE	PACKAGING
	B: Bushing S: Servo		Box of 10 pieces
Other characteristics will be standard as described on this data sheet. If special characteristics are required, such as: special linearity, special resistance tolerance, high torque, 1/8 shaft - 1/4 - 32 bushing, stops, non - linear functions, etc., state these on your order.			

SAP PART NUMBERING GUIDELINES			
152	B	502	B10
MODEL	MOUNTING TYPE	OHMIC VALUE	PACKAGING
	B: Bushing	502 = 5K	Box of 10 pieces

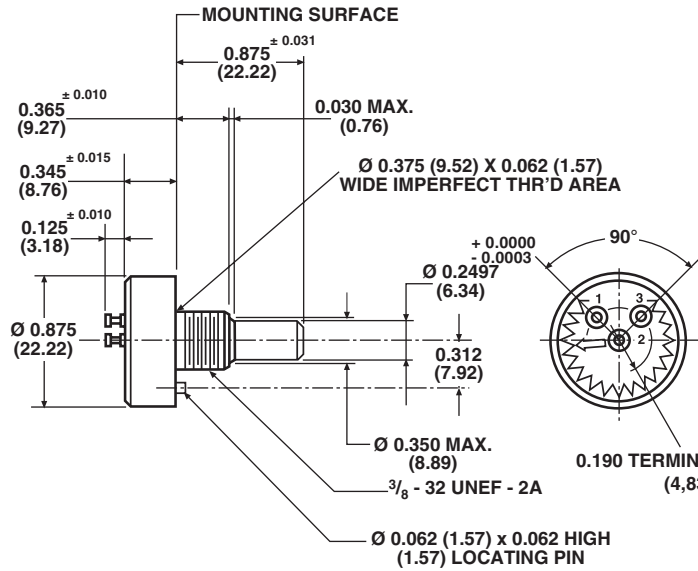


**7/8" (22.2 mm) Single Turn Wirewound,
Precision Potentiometer**

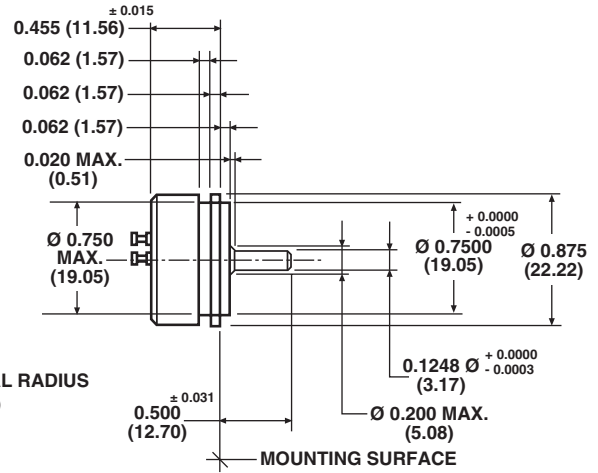
Vishay Spectrol

DIMENSIONS in inches (millimeters)

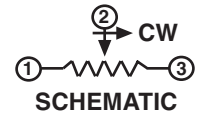
BUSHING MOUNT TYPE: 152B



SERVO MOUNT TYPE: 152S



**TOLERANCES: UNLESS OTHERWISE NOTED.
DECIMALS ± 0.005 ANGLES ± 2°**



MECHANICAL SPECIFICATIONS		
PARAMETER		
Rotation	360° continuous	
Bearing Type	Servo mount: Ball bearing Bushing mount: Sleeve bearing	
Torque (Maximums)	STARTING	RUNNING
Servo	0.25 oz. - in (18.00 g - cm)	0.15 oz. - in (10.80 g - cm)
Bushing	0.30 oz. - in (21.60 g - cm)	0.25 oz. - in (18.00 g - cm)
Mechanical Runouts (Maximums)	BUSHING	SERVO
Shaft Runout	0.002" (0.05 cm)	0.002" (0.05 cm)
Pilot Dia. Runout	-	0.002" (0.05 cm)
Lateral Runout	0.005" (0.13 cm)	0.002" (0.05 cm)
Shaft End Play	0.006" (0.15 cm)	0.005" (0.13 cm)
Shaft Radial Play	0.003" (0.08 cm)	0.002" (0.05 cm)
Weight	0.5 oz. maximum (14.18 g)	

Model 152



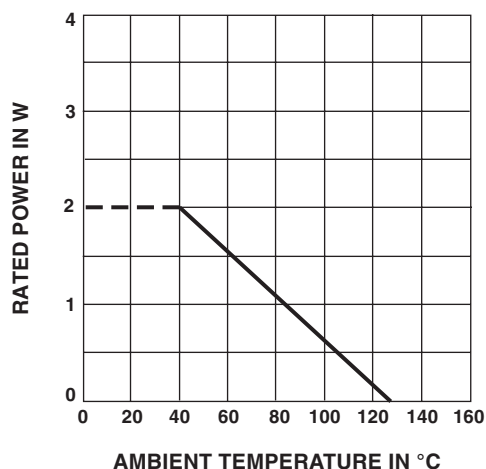
Vishay Spectrol

7/8" (22.2 mm) Single Turn Wirewound,
Precision Potentiometer

MATERIAL SPECIFICATIONS	
Housing	Aluminum, anodized
Shaft	Stainless steel, non-magnetic non-passivated
Rear Lid	Molded glass filled phenolic
Terminals	Brass, plated for solderability
Bushing Mount Hardware Lockwasher Internal Tooth: Panel Nut:	Steel, nickel plated Brass, nickel plated

ENVIRONMENTAL SPECIFICATIONS	
Vibration	15 g thru 2000 Hz
Shock	50 g
Salt Spray	96 h
Rotational Life Shaft Revolution:	Bushing 1 million Servo 2 million
Load Life	900 h
Operating Temperature Range	- 55 °C to + 125 °C

POWER RATING CHART



MARKING	
Unit Identification	Units shall be marked with Vishay Spectrol name, model number, resistance and tolerance, linearity terminal identification and data code. Applicable test procedures: MIL-R-12934



Disclaimer

All product specifications and data are subject to change without notice.

Vishay Intertechnology, Inc., its affiliates, agents, and employees, and all persons acting on its or their behalf (collectively, "Vishay"), disclaim any and all liability for any errors, inaccuracies or incompleteness contained herein or in any other disclosure relating to any product.

Vishay disclaims any and all liability arising out of the use or application of any product described herein or of any information provided herein to the maximum extent permitted by law. The product specifications do not expand or otherwise modify Vishay's terms and conditions of purchase, including but not limited to the warranty expressed therein, which apply to these products.

No license, express or implied, by estoppel or otherwise, to any intellectual property rights is granted by this document or by any conduct of Vishay.

The products shown herein are not designed for use in medical, life-saving, or life-sustaining applications unless otherwise expressly indicated. Customers using or selling Vishay products not expressly indicated for use in such applications do so entirely at their own risk and agree to fully indemnify Vishay for any damages arising or resulting from such use or sale. Please contact authorized Vishay personnel to obtain written terms and conditions regarding products designed for such applications.

Product names and markings noted herein may be trademarks of their respective owners.